

## Specification

Model	MO-D34x	MO-D44x	MO-D54x	MO-D64x	MO-D74x
Video system	CCIR / EIA		NTSC Only	NTSC / PAL	EIA Only
Number of effective pixels	NTSC(EIA)	510x492	320x240	510x492	510x492
	PAL(CCIR)	628x582	352x288		628x582
Image sensor	1/3"	1/4"	1/4"	1/3"	1/4"
Resolution(TV Lines)	380	240		380	
S/N Ratio	more than 48dB				
Minimum illumination	0.2 LUX	0.5 LUX	1.5 LUX	3 LUX	0.05 LUX
Electronic shutter	1/50 - 1/15,000	1/50 - 1/6,000	1/50 - 1/63,000	1/50 - 1/15,000	1/50 - 1/63,000
Horizontal sync frequency	NTSC(EIA)-15.734kHz / PAL(CCIR)-15.625kHz				
Vertical sync frequency	NTCS(EIA)-60Hz / PAL(CCIR)-50Hz				
Camera consumption	0.45				
Video output	1Vp-p , 75ohm composite				
Audio output	Frequency 20-16,000Hz , S/N ratio more than 58 SPL(at 1000Hz)(Ordering in advance)				
Built-in lens	3.6mm / F2.0 (G-type)				
Lens angle	92 °		70 °	92 °	70 °
Storage temperature	-30 to 60 Degree C				
Working temperature	-10 to 45 Degree C				
Power source	DC 7-12V(Standard)				
Power current	50mA	20mA	35mA	50mA	35mA
Dimension (mm)	87 x 57				

## CMOS Dome Camera



MO-Dx41



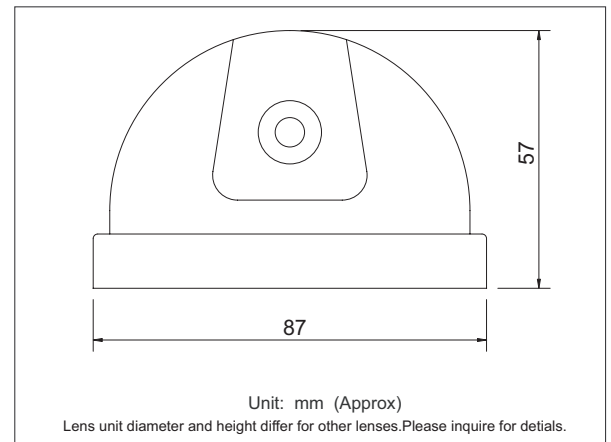
MO-Dx42

## Ordering Information

MODEL	MICRO LENS	MIC	NOTE
MO-Dx41	3.6mm / F2.0		Black
MO-Dx41A	3.6mm / F2.0		Black
MO-Dx42	3.6mm / F2.0		White
MO-Dx42A	3.6mm / F2.0		White

**NOTE:**  
 MO-D342A : W/Microphone  
 MO-Dx42: 4: 1/3" 0.2 Lux    4: 1/4" 0.5 Lux    5: 1/4" 0.2 Lux  
 6: 1/3" 3 Lux    7: 1/4" 0.05 Lux

## Dimensions



## Other type

MS-C341	MO-D440 CMOS MINI CAMERA	MS-C446	MS-B345 Hidden CCD Camera